

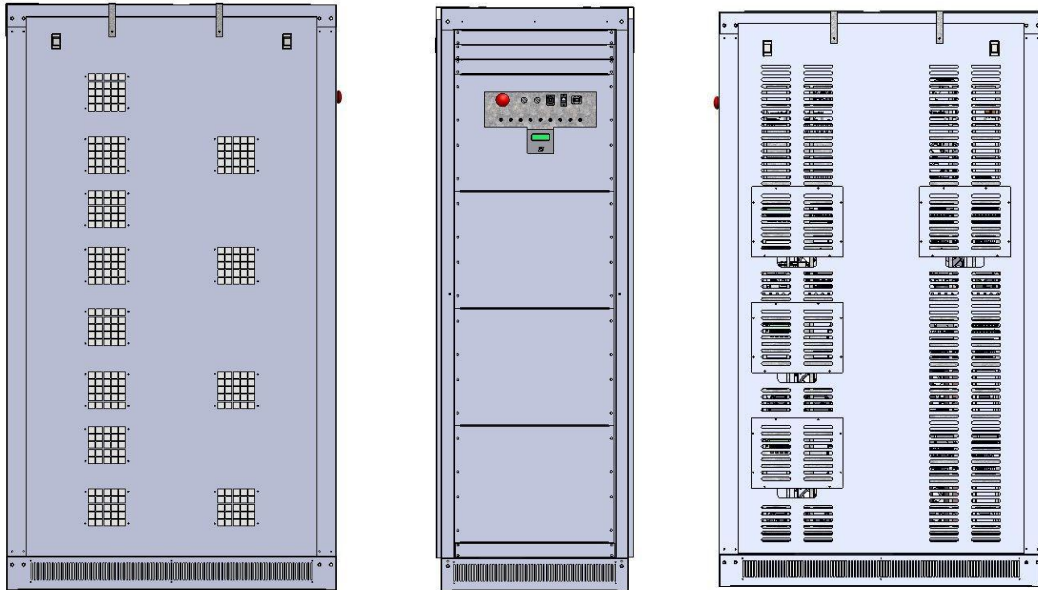
MIMO Power Converter



Multi-Input Multi-Output Power Solution

MIMO is the power hub solution by PSC

Cutting edge High Frequency discrete SiC technology



Key features



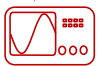
Different power configurations available up to 200kW with several units.



Supports grid-forming and grid-feeding.



Includes two isolated DC-DC and one 4-leg inverter. Also, it can be included a 3-phase rectifier.



Remote tracking and controlling capability. Virtual scope.



Includes battery standard communication protocols.



Includes MPPT algorithms.



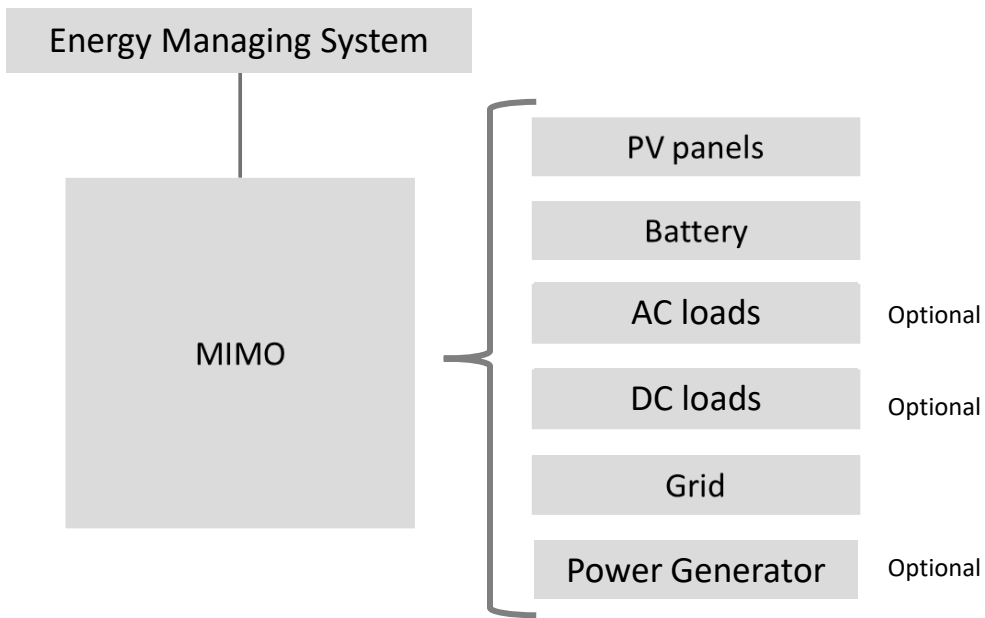
Detailed documentation and application examples provided.



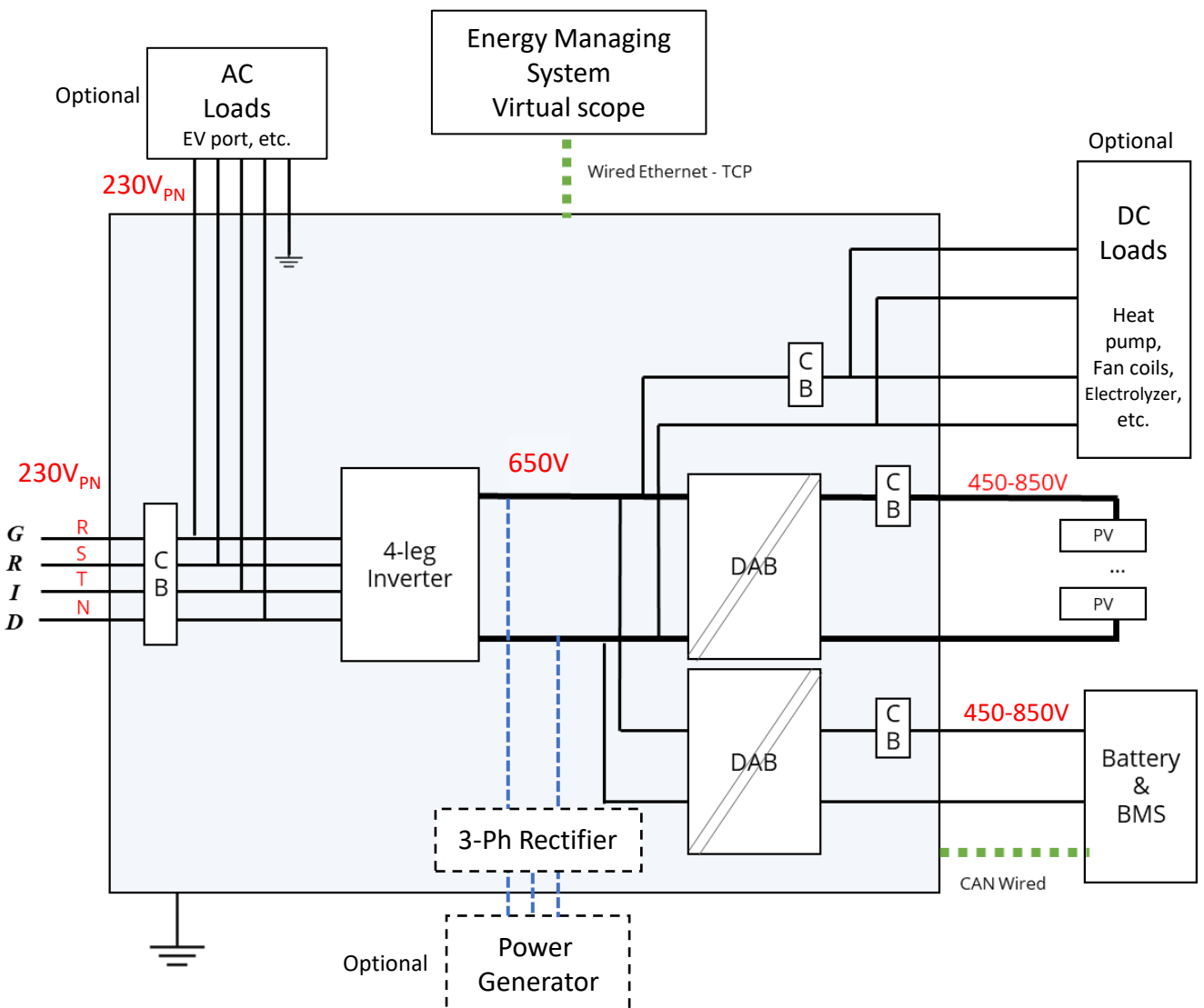
MIMO25

composed of input/output 25kW converters

Typical connection diagram



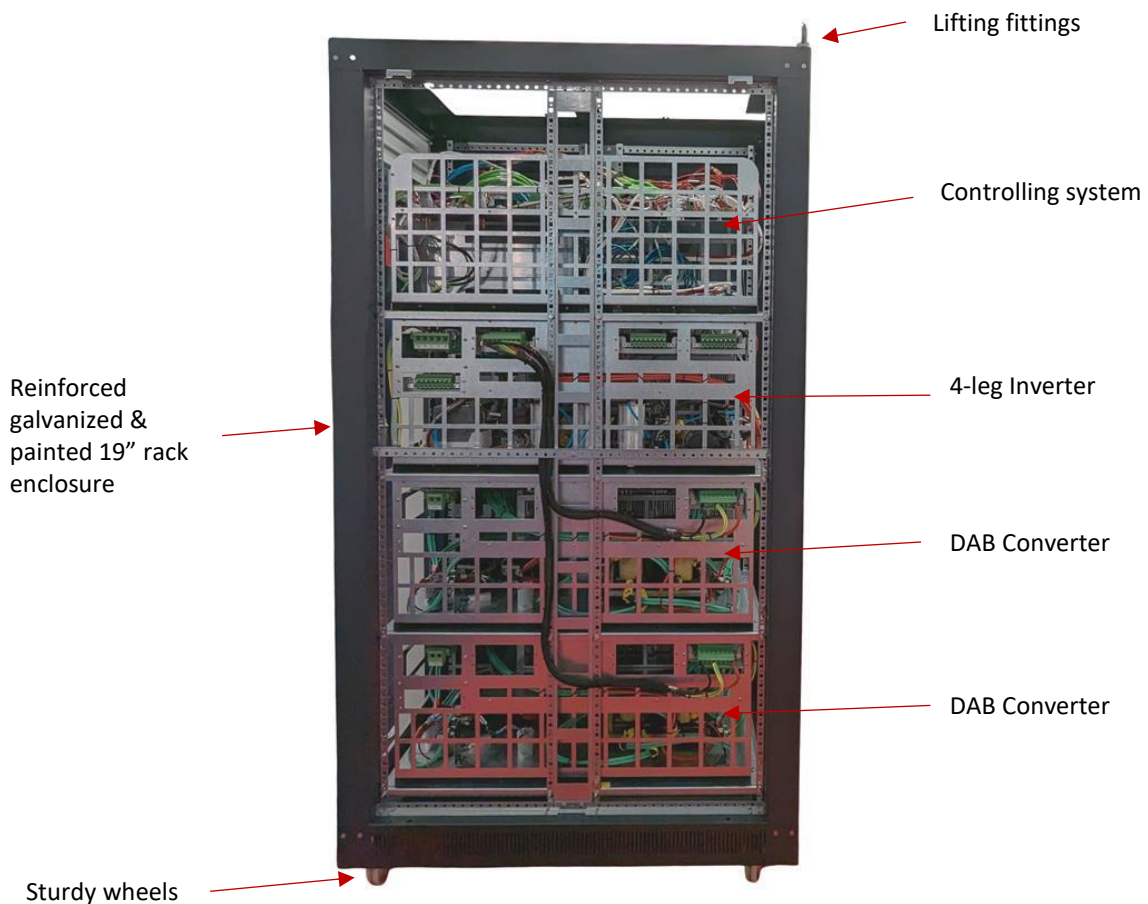
MIMO internal block diagram



MIMO detailed description

- ✓ 4-leg 3-phase inverter
 - Grid: 3-phase 230Vac (phase-neutral) – 50Hz
 - DC bus range: 650Vdc
 - Provides grid-forming and grid-feeding working modes
 - Does not provide galvanic isolation
- ✓ DAB converter PV side
 - Internal DC bus range: 650Vdc
 - External DC range: 450-850V
 - Provide high-frequency galvanic isolation
 - Includes MPPT algorithm
- ✓ DAB converter Battery side
 - Internal DC bus range: 650Vdc
 - External DC range: 450-850V
 - Provide high-frequency galvanic isolation
- ✓ 3-ph rectifier
 - Power Generator: 3-phase 230Vac (phase-neutral) – 50Hz
 - Internal DC bus range: 650Vdc
 - Does not provide galvanic isolation

MIMO internals & details



MIMO applications

- ✓ Single family homes
- ✓ Small & medium size flats buildings
- ✓ Public social centers
- ✓ Schools
- ✓ Small size industries looking for extra power
- ✓ Isolated facilities which need electricity
- ✓ Micro-grid systems
- ✓ Back-up system
- ✓ Defense application
- ✓ Development aid
- ✓ Disaster assistance
- ✓ Scientific missions

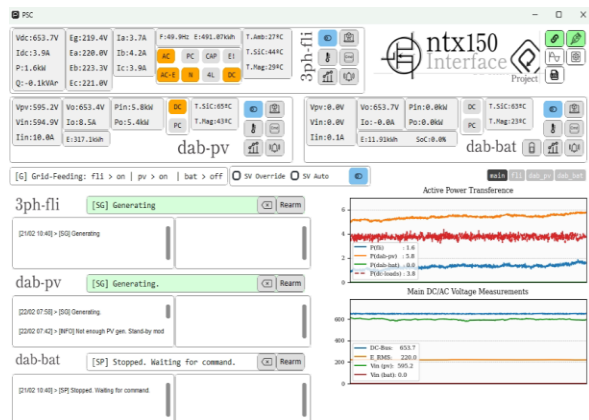
MIMO size & weight

- ✓ Less than 400kg
- ✓ Less than 185 x 120 x 60cm



MIMO050

composed of input/output 50kW converters



Energy Managing System - Virtual scope



Power Smart Control SL
Avda. Gregorio Peces Barba, 1
28919 Leganes (Madrid), Spain



sales@powersmartcontrol.com

